

Ringbus Master Controller

- comprises power supply, CPU and ringbus driver modules
- for 1 fire ring or 1 smoke ring
- handles up to 500 field units or 1000 elements
- for DIN rail mounting
- 230 V AC mains power


Technical data

Electrical data	Nominal voltage	AC 230 V 50/60 Hz
	Nominal voltage range	AC 100 ... 230 V
	For wire sizing	25 VA
	Power consumption	40 W
	Connecting	3 x Power supply terminal 3 x 1.5 mm ² 2 x RingBus terminal 4 x 1,5 mm ² wire
	Wire stripping length	8 mm
Safety	Degree of protection	IP20
	EMC	CE according to 2004/108/EC
	Low-voltage-directive	CE according to 2006/95/EC
	Ambient humidity range	IEC 60730-1 max. 95 %
	Ambient temperature range	0 ... +50°C
	Non-operating temperature	-40 ... +85°C
Maintenance	Maintenance-free	
Dimensions / weight	Dimensions	86 x 108 x 120 mm

Safety notes

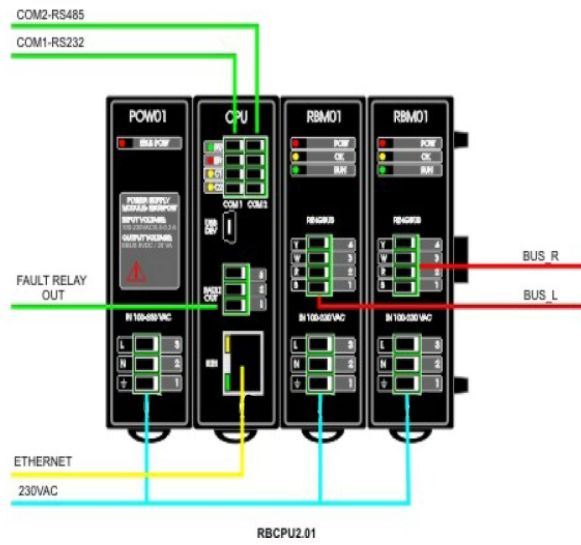

- The device is not allowed to be used outside the specified field of application, especially in aircraft or in any other airborne means of transport.
- Caution: Power supply voltage!
- It may only be installed by suitably trained personnel. Any legal regulations or regulations issued by authorities must be observed during assembly.
- The device may only be opened at the manufacturer's site. It does not contain any parts that can be replaced or repaired by the user.
- The device contains electrical and electronic components and is not allowed to be disposed of as household refuse. All locally valid regulations and requirements must be observed.

Product features

Control of one fire or one smoke ring	RBCPU 2.01 is an intelligent master controller which controls and supplies 1 fire ring or 1 smoke ring. Up to 500 field units or 1000 elements in one ring can be controlled by the RBCPU 2.01, and up to 100 RBCPU 2.01 master controllers can be connected in a mid-tier Ethernet network with the Ringbus data server, allowing this system to be implemented even in the largest buildings.
	Integrated fault state relay 250VAC 2A no/nc Relay is active when no errors in system are detected
Connection	RBCPU 2.01 is connected to both ends of the ring by a 4 wire cable and to the power supply by three 3 wire cables.
Isolation	The ring is isolated from mains by transformer in SMPs and all RBCPU 2.01 control units in the network are isolated between them selves by transformers in Ethernet connectors.

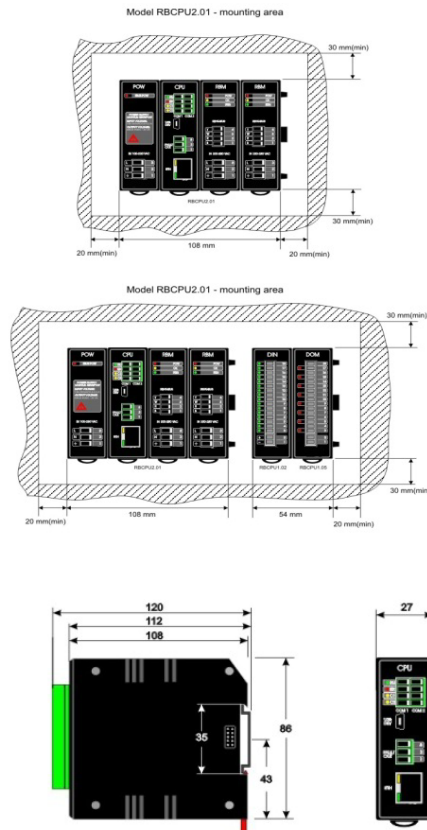
Electrical installation

Wiring diagram



Dimensions [mm]

Dimensional diagrams



RBCPU 2.01 instructions for mounting on DIN rail

