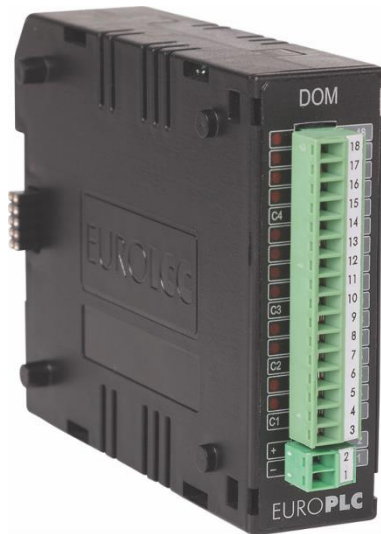


## DIGITAL OUTPUT MODULE



## PRODUCT DESCRIPTION

Digital output module M2.DOM.02 has 12 normally open relay outputs with LED indication of the state in the output circuit.

These output contacts are grouped into four groups, each group with common pole.

Relay coils are powered internally from the PLC bus excluding the need for an external power supply, but reducing the maximal number of modules in configuration.

During the CPU module failure the outputs are in off state.

Module is compliant with: EN 61131-1:2003, EN 61131-2:2003.

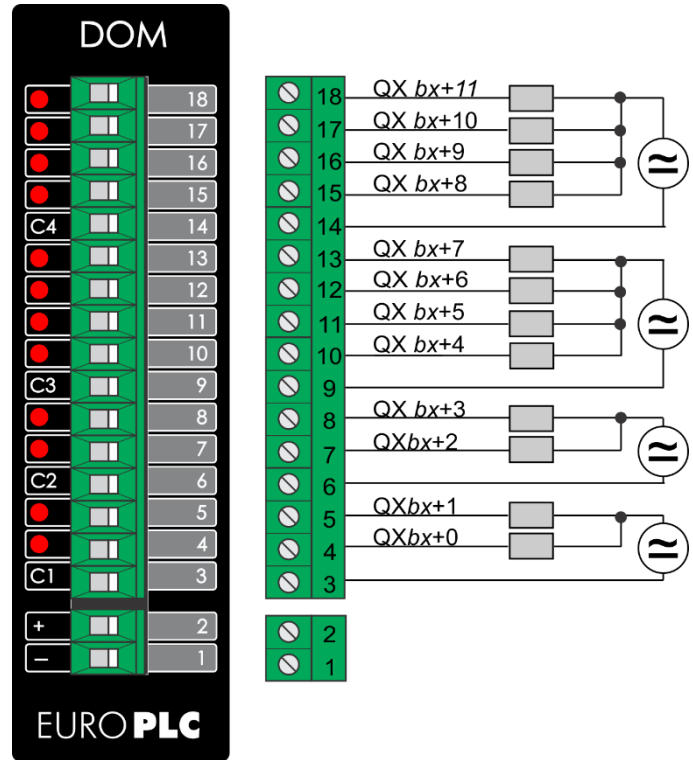
## TECHNICAL DATA

DIGITAL OUTPUT CHARACTERISTICS	
Number of outputs	12
Type of outputs	Relay
Output voltage range	30 VDC / 125 VAC
Output current	1 A (30 VDC) / 0.5 A (125 VAC) Max
Operate/release time	5 ms
Relay lifetime	10 <sup>6</sup> (resistive load 125 VAC, 62.5 VA)
Galvanic isolation (1 min)	Yes, 1 kV
ADDITIONAL SPECIFICATIONS	
Operating temperature	0.. +55 °C
Storage temperature	-30.. +80 °C
Operating humidity	Max 95% r.H., no condensation
Protection degree	IP20
Dimensions	108x86x27 mm
Weight	120 g
EBUS consumption	450 mA (all outputs on)

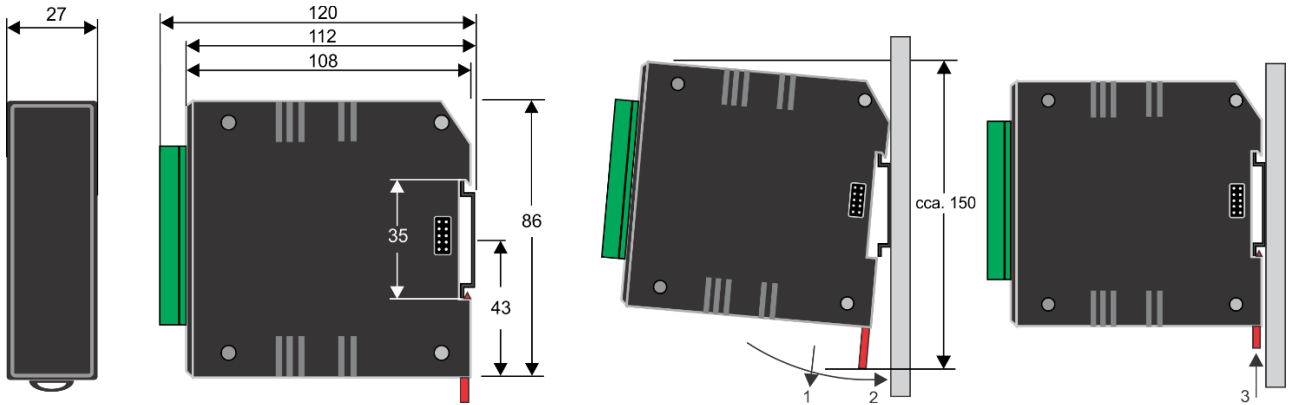
## PRODUCT FEATURES

- » 12 NO relay outputs
- » Fully separated outputs
- » Internally powered relay coils.
- » LED indication of the output circuits state

WIRING AND RESOURCES



DIMENSIONS AND MOUNTING



SAFETY NOTES



- The device is not allowed to be used outside the specified field of application, especially in aircraft or in any other airborne means of transport.
- It may only be installed by suitably trained personnel.
- Any legal regulations or regulations issued by authorities must be observed during assembly.
- The device may only be opened at the manufacturer's site. It does not contain any parts that can be replaced or repaired by the user.
- The device contains electrical and electronic components and is not allowed to be disposed of as household refuse. All locally valid regulations and requirements must be observed.