

## DIGITAL INPUT MODULE



### PRODUCT DESCRIPTION

Digital input module M2.DIN.01 has 16 digital inputs with common pole and LED indication of input circuit state.

The first two digital inputs can be used as the counter inputs.

Signal evaluation is done on request from CPU. Withdrawing or inserting a module under power has no effects.

Module is compliant with: EN 61131-1:2003, EN 61131-2:2003

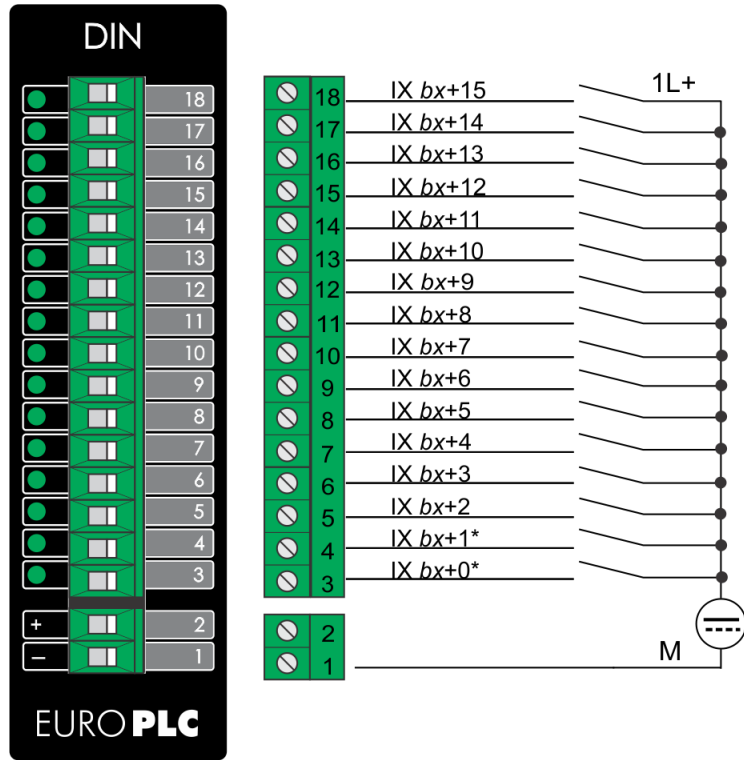
### TECHNICAL DATA

DIGITAL INPUT CHARACTERISTICS	
Number of inputs	16
Type of inputs	Current sinking, common pole, LED indication of the input state. Type 1
Nominal input voltage	24 VDC
Input current per channel	10 mA Max (on 24 VDC)
Response time	1 ms
Maximal input signal frequency on counter inputs	2 kHz
Effects of incorrect terminal connection	None
Galvanic isolation	Yes, optocoupled, 3.7 kV
ADDITIONAL SPECIFICATIONS	
Operating temperature	0.. +55 °C
Storage temperature	-30.. +80 °C
Operating humidity	Max 95% r.H., no condensation
Protection degree	IP20
Dimensions	108x86x27 mm
Weight	120 g
EBUS consumption	50 mA

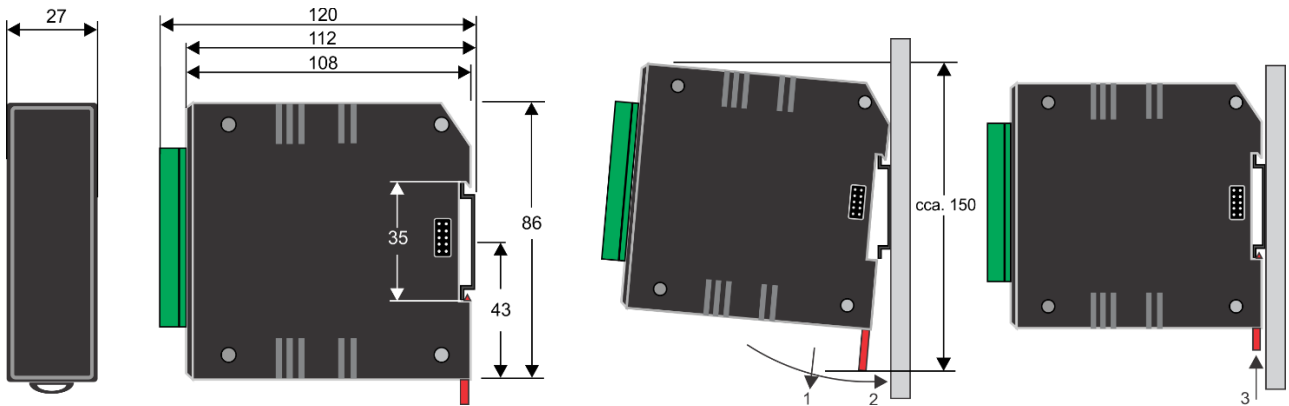
### PRODUCT FEATURES

- » 16 digital inputs
- » Counting capability on first two inputs
- » LED indication of the input circuit state
- » Optocoupled galvanic isolation 3.7 kV

WIRING AND RESOURCES



DIMENSIONS AND MOUNTING



SAFETY NOTES



- The device is not allowed to be used outside the specified field of application, especially in aircraft or in any other airborne means of transport.
- It may only be installed by suitably trained personnel.
- Any legal regulations or regulations issued by authorities must be observed during assembly.
- The device may only be opened at the manufacturer's site. It does not contain any parts that can be replaced or repaired by the user.
- The device contains electrical and electronic components and is not allowed to be disposed of as household refuse. All locally valid regulations and requirements must be observed.