

**ANALOG MODULE**

**PRODUCT DESCRIPTION**



M2.AMN.14 analog modules has 2 input channels with maximal 16-bit resolution (12 bit with factory default calibration) and 2 output channels with 12-bit resolution.

Input section of module is used for accepting and processing of all standard analog signals (current, voltage, and RTD). Simultaneously, every channel can accept a different type of analog signal.

Output section of the module is used for setting up analog values (current and voltage). Simultaneously, every channel can generate a different type of analog signal.

Module is compliant with: EN 61131-1:2003, EN 61131-2:2003

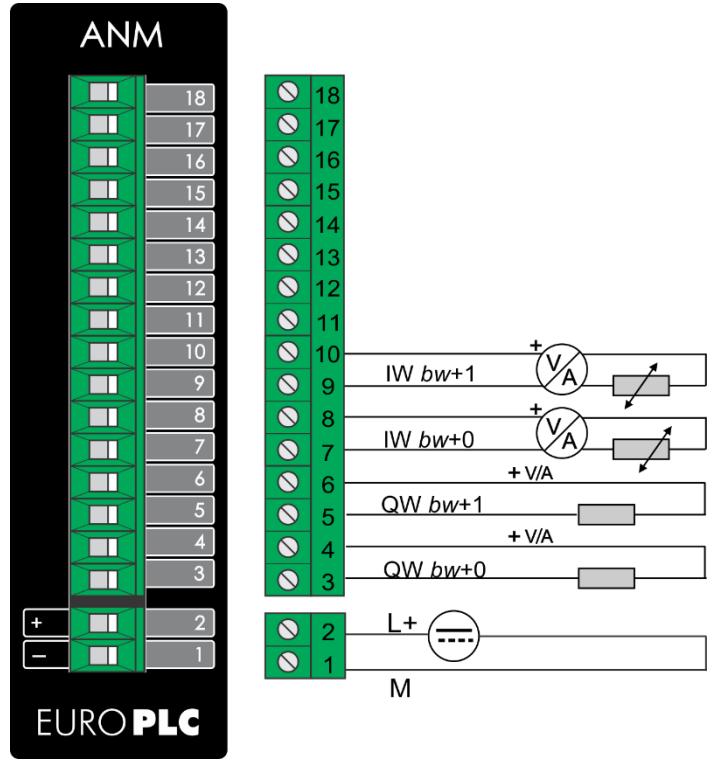
**TEHNICAL DATA**

ANALOG INPUT CHARACTERISTICS	
Number of inputs	2
Type of inputs	Jumper selectable per channel: - current (0-20 mA) - voltage (0-10 V) - RTD (Pt100 -200 to 850 °C)
Resolution	16 bit (12 bit with factory default calibration)
Input impedance	- current – 100 Ω - voltage – 10 kΩ
Maximum permanent overvoltage	±20 V
Galvanic isolation	Yes, optocoupled, 2.5 kV
ANALOG OUTPUT CHARACTERISTICS	
Number of outputs	2
Output type	Jumper selectable - current (0-20 mA) - voltage (0-5 V) - voltage (0-10 V)
Resolution	12 bit
Settling time for full range swing	1ms
Output load	current ≤ 500 Ω, voltage ≥ 1 kΩ
Galvanic isolation	Yes, optocoupled, 2.5 kV
ADDITIONAL SPECIFICATIONS	
Operating temperature	0.. +55 °C
Storage temperature	-30.. +80 °C
Operating humidity	Max 95% r.H., no condensation
Protection degree	IP20
Dimensions	108x86x27 mm
Weight	120 g
EBUS consumption	100 mA
External power supply	24 VDC/150 mA

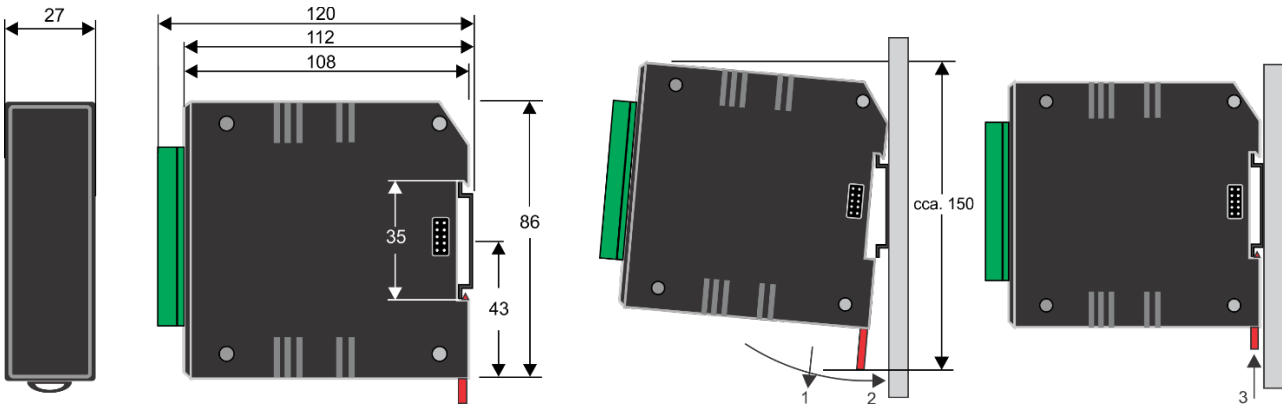
**PRODUCT FEATURES**

- » 2 analog inputs and 2 analog outputs Inputs operate in self-scan mode
- » Monotonicity with no missing codes is guaranteed
- » Calibration is performed during production. Inputs can be recalibrated using PC based application
- » Configuration of input / output type is performed by jumpers

**WIRING AND RESOURCES**



**DIMENSIONS AND MOUNTING**



**SAFETY NOTES**



- The device is not allowed to be used outside the specified field of application, especially in aircraft or in any other airborne means of transport.
- It may only be installed by suitably trained personnel.
- Any legal regulations or regulations issued by authorities must be observed during assembly.
- The device may only be opened at the manufacturer's site. It does not contain any parts that can be replaced or repaired by the user.
- The device contains electrical and electronic components and is not allowed to be disposed of as household refuse. All locally valid regulations and requirements must be observed.