

ANALOG MODULE



PRODUCT DESCRIPTION

M2.ANM.10 analog module has 4 input channels with maximal 16-bit resolution (12 bit with factory default calibration).

Input section of the module is used for accepting and processing of all standard analog signals (current, voltage, and RTD). Simultaneously, every channel can accept a different type of analog signal.

Configuration of input types of a specific channel is performed by jumpers on the module itself. The measured value is one word per input. Inputs operate in self-scan mode. Calibration is done in software. Monotonicity with no missing codes is guaranteed.

Module is compliant with: EN 61131-1:2003, EN 61131-2:2003.

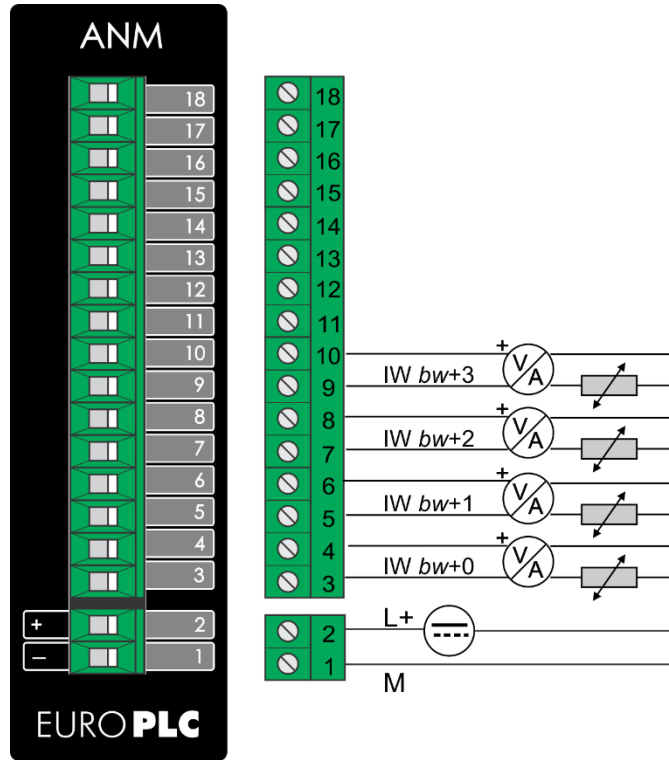
TECHNICAL DATA

ANALOG INPUT CHARACTERISTICS	
Number of inputs	4
Type of inputs	Jumper selectable per channel: - current (0-20 mA) - voltage (0-10 V) - RTD (Pt100 -200 to 850 °C)
Resolution	16 bit (12 bit with factory default calibration)
Input impedance	- current – 100 Ω - voltage – 10 kΩ
Maximum permanent overvoltage	±20 V
Galvanic isolation	Yes, optocoupled, 2.5 kV
ADDITIONAL SPECIFICATIONS	
Operating temperature	0.. +55 °C
Storage temperature	-30.. +80 °C
Operating humidity	Max 95% r.H., no condensation
Protection degree	IP20
Dimensions	108x86x27 mm
Weight	120 g
EBUS consumption	100 mA
External power supply	24 VDC/150 mA

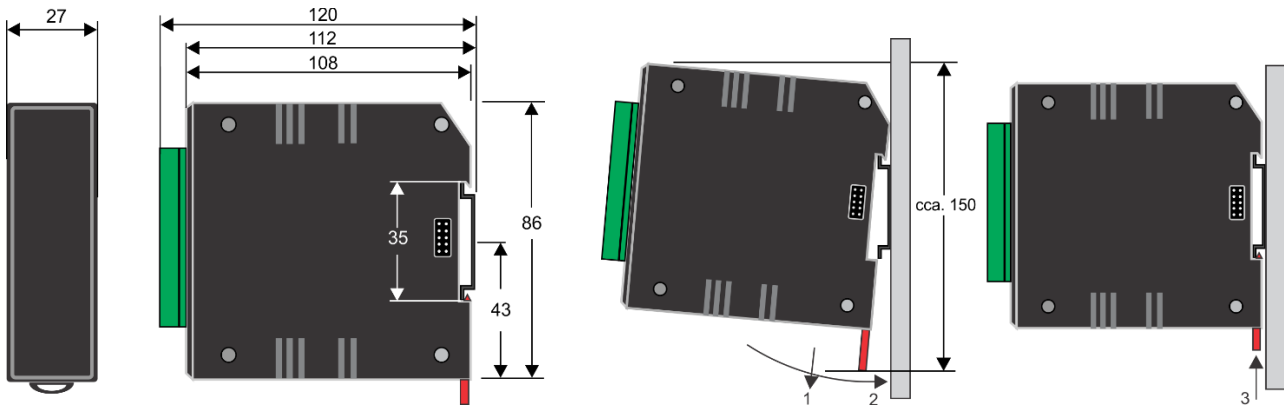
PRODUCT FEATURES

- » 4 analog inputs with maximum 16 bit resolution
- » Calibration is performed during production. Inputs can be recalibrated using PC based application
- » Inputs operate in self-scan mode
- » Configuration of input type is performed by jumpers
- » Monotonicity with no missing codes is guaranteed

WIRING AND RESOURCES



DIMENSIONS AND MOUNTING



SAFETY NOTES



- The device is not allowed to be used outside the specified field of application, especially in aircraft or in any other airborne means of transport.
- It may only be installed by suitably trained personnel.
- Any legal regulations or regulations issued by authorities must be observed during assembly.
- The device may only be opened at the manufacturer's site. It does not contain any parts that can be replaced or repaired by the user.
- The device contains electrical and electronic components and is not allowed to be disposed of as household refuse. All locally valid regulations and requirements must be observed.