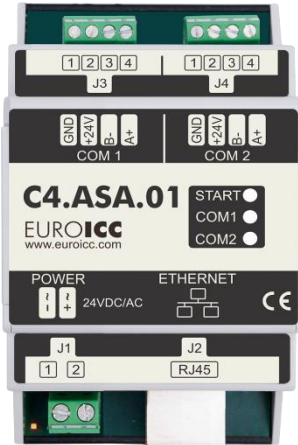


APPLICATION SERVER



PRODUCT DESCRIPTION

Application server is a Linux based controller which enables IP connection to hotel rooms. It contains BACnet or Modbus IP or RS485 bridge functionality and real time application software program for controlling and supervision of room touch panels and IO modules. IP port enables easy integration to GRMS and BMS systems. Configuration and programming is done through web interface or the jPLCPRO tool.

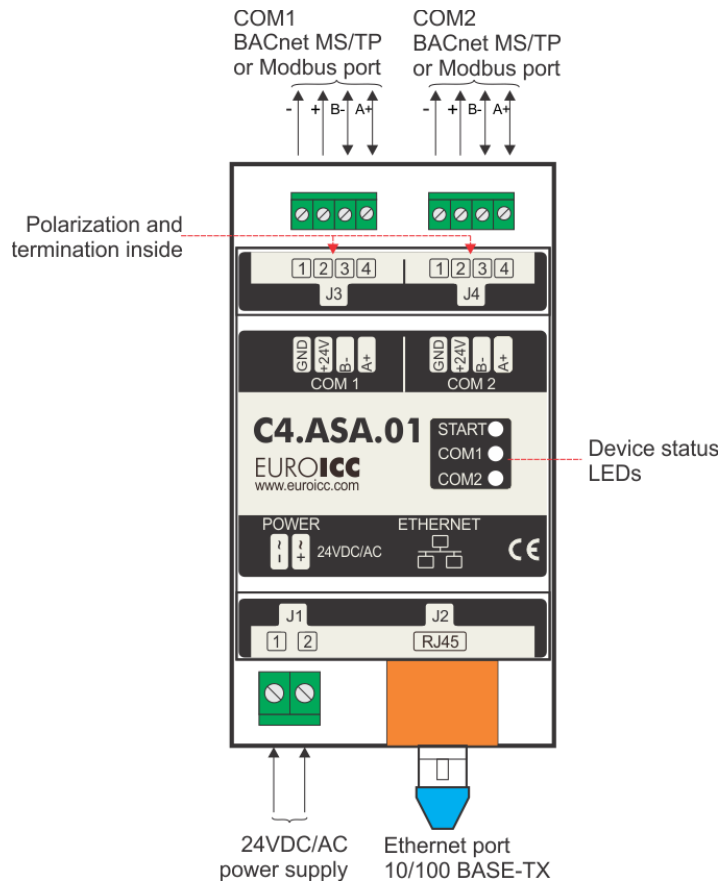
TECHNICAL DATA

ELECTRICAL SPECIFICATIONS	
Power supply	24 VDC, 5 W
COMMUNICATION CHANNEL	
Ethernet	10/100BASE-TX
2x RS 485	Up to 16 devices per port
USB	Mini USB
HARDWARE RESOURCES	
Microprocessor	ARM9 (32bit architecture, 400 MIPS)
RAM memory	128 MB
Flash memory	512 MB
RTC	With backup power supply
ADDITIONAL SPECIFICATIONS	
Operating temperature	-10.. +70 °C
Storage temperature	-40.. +85 °C
Operating humidity	Max 95% r.H., no condensation
Protection degree	IP20
Mounting	DIN rail, for indoor use only
Dimensions	53,6x90x62.2 mm
Weight	125 g

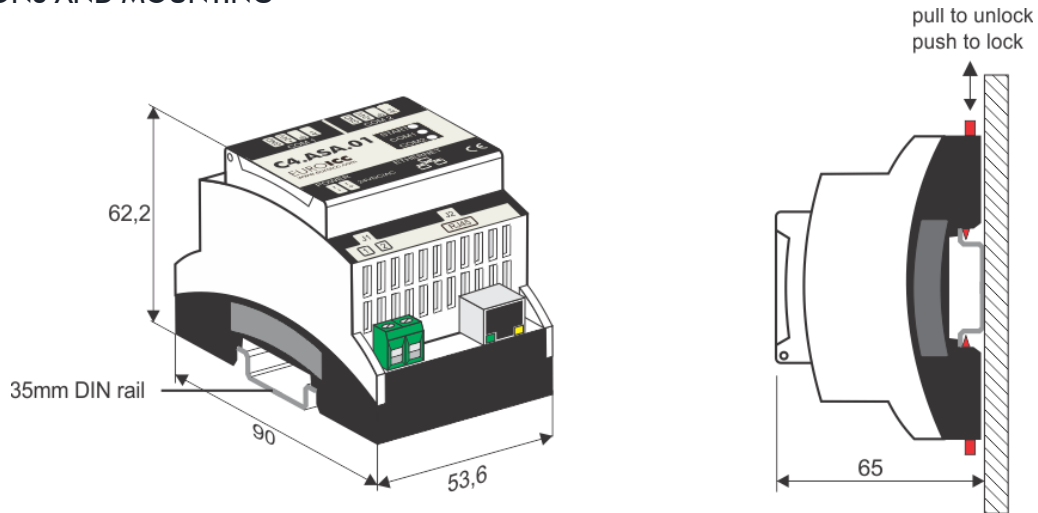
PRODUCT FEATURES

- » Available ports: 1x Ethernet port, 2 x RS485 ports
- » Interchangeable ports for BACnet and Modbus
- » Standard BACnet and Modbus application layers
- » Resource sharing between controllers through BACnet network.
- » Possibility to store operating plans in non-volatile memory
- » LED indicators for device and communication status
- » Device supports time synchronization
- » Programming is done using jPLCPro PC application
- » Configuration, programming and debugging through USB port or Web application
- » Inside DIP switch selectable polarization and termination resistors on communications ports

WIRING AND RESOURCES



DIMENSIONS AND MOUNTING



SAFETY NOTES



- The device is not allowed to be used outside the specified field of application, especially in aircraft or in any other airborne means of transport.
- It may only be installed by suitably trained personnel.
- Any legal regulations or regulations issued by authorities must be observed during assembly.
- The device may only be opened at the manufacturer's site. It does not contain any parts that can be replaced or repaired by the user.
- The device contains electrical and electronic components and is not allowed to be disposed of as household refuse. All locally valid regulations and requirements must be observed.