

LIGHTING PHASE CUT DIMMER



PRODUCT DESCRIPTION

Lighting Phase Cut Dimmer C2.LPD.04 is a programmable and configurable Leading or Trailing edge phase cut dimmer.

It can work as an independent device or as a part of an overall building infrastructure. In latter case it communicates over BACnet or Modbus to the rest of the infrastructure. With the accompanying jPLCPRO software, it can be programmed and configured.

The device can be connected to BMS and supports 4 dimming channels. Each channel can be independently configured in leading or trailing edge mode.

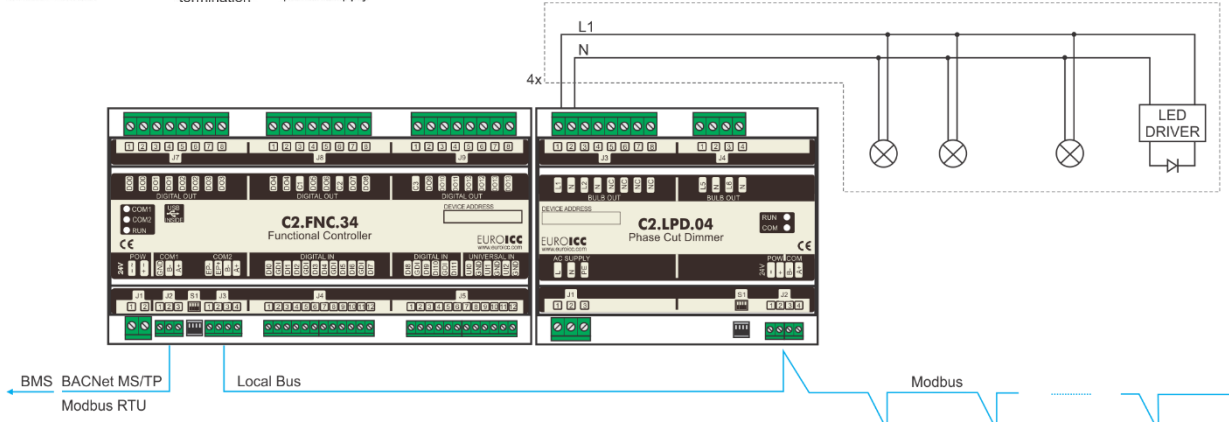
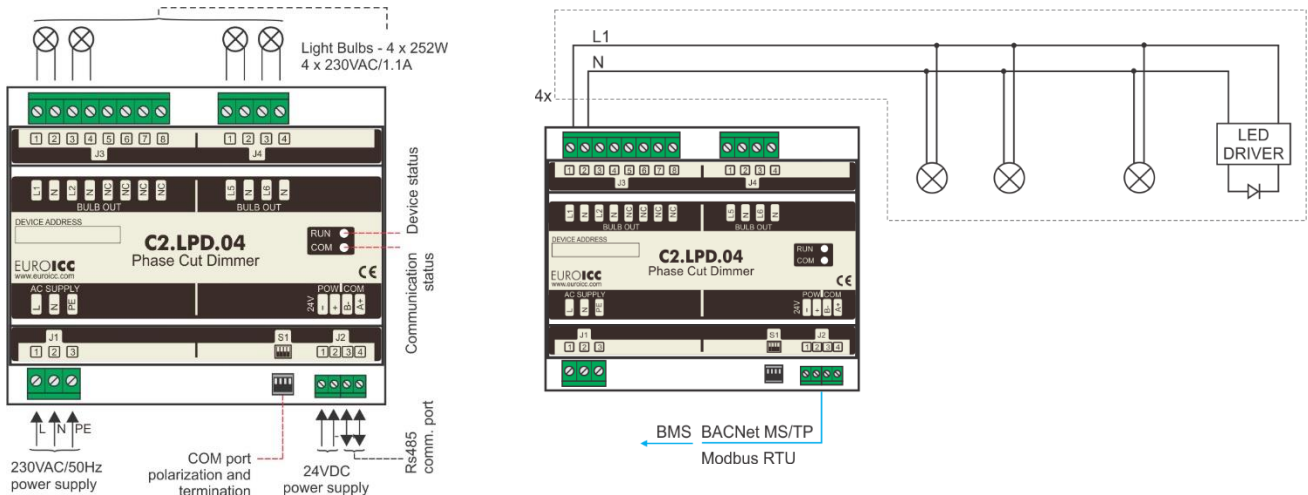
TECHNICAL DATA

ELECTRICAL SPECIFICATIONS	
Power supply	24 VDC for logic, 230 VAC for dimmer outputs
Maximum output current per channel	1.1 A
Total maximum input power	1012W
COMMUNICATION CHANNEL	
RS 485	BACnet MS/TP or Modbus Slave RTU/ASCII. Programmable baud rate (9600, 19200, 38400, 76800, 115200), DIP switch selectable use of termination and polarization resistors
USB	USB device, mini USB connector, service port
ADDITIONAL SPECIFICATIONS	
Operating temperature	0.. +55 °C
Storage temperature	-30.. +85 °C
Operating humidity	Max 95% r.H., no condensation
Protection degree	IP20
Mounting	DIN rail, for indoor use only
Dimensions	107.6x90x62.2mm
Weight	300 g
Dimming mode	Selectable trailing or leading edge
Channels supported	4

PRODUCT FEATURES

- » Up to 4 channels phase cut dimmer
- » Selectable mode of operation either leading or trailing edge independently for each channel
- » Supports all types of dimmable light sources
- » Programmable device
- » Supported protocols: BACnet, Modbus RTU and Modbus ASCII
- » Programming is done using PC application
- » Configuration, programming and debugging through USB port
- » Standalone operation as an option

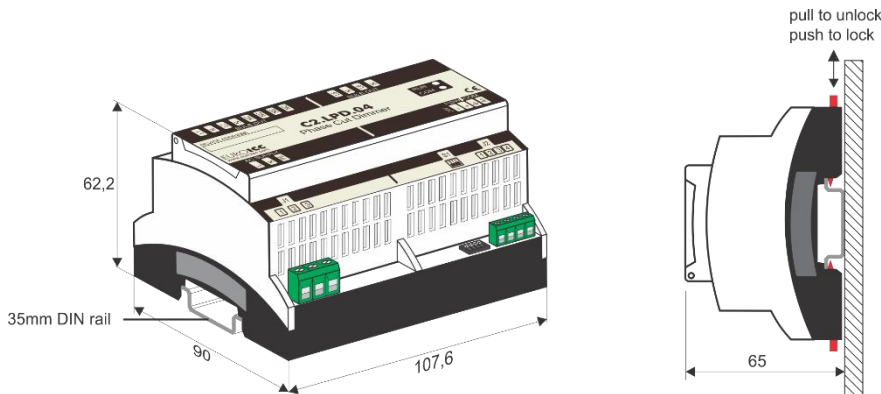
WIRING AND RESOURCES



C2.LPD.06 - Wiring example



DIMENSIONS AND MOUNTING



SAFETY NOTES



- The device is not allowed to be used outside the specified field of application, especially in aircraft or in any other airborne means of transport.
- It may only be installed by suitably trained personnel.
- Any legal regulations or regulations issued by authorities must be observed during assembly.
- The device may only be opened at the manufacturer's site. It does not contain any parts that can be replaced or repaired by the user.
- The device contains electrical and electronic components and is not allowed to be disposed of as household refuse. All locally valid regulations and requirements must be observed.