

## POWER SUPPLY MODULE



## PRODUCT DESCRIPTION

The C1.POW.01 power supply module converts electric power from the public home/indoor electric grid to voltage stabilized DC power necessary for stable operation of devices from C series of EuroICC home automation controllers. It can be used for providing DC voltage to other devices

C1.POW.01 power supply module is used as a switch-type power supply (chopper) with built-in galvanic isolation.

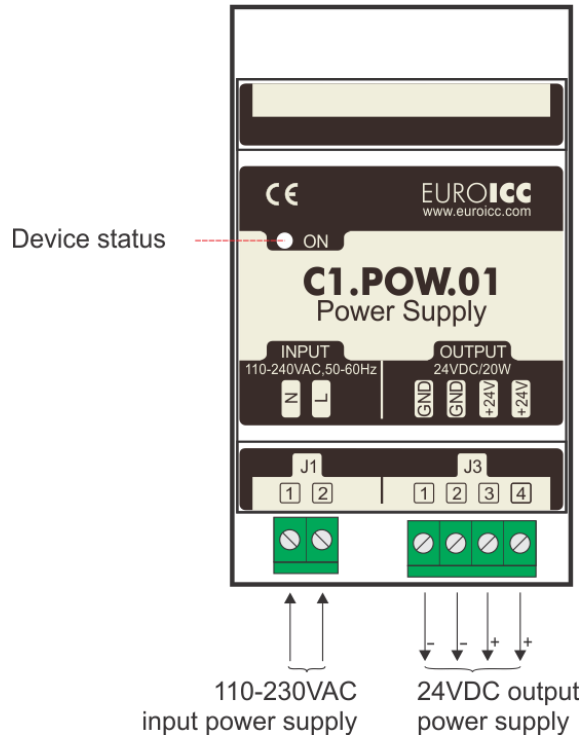
## TECHNICAL DATA

ELECTRICAL SPECIFICATIONS	
Input voltage	110-230 VAC; 50-60 Hz
Input current	110 VAC/0,5 A; 230 VAC/0,3 A
Output Voltage	24 VDC +/- 1%
Output current	0.65 A max
Protection (built-in)	- short-circuit (non-latching) - over current protection - temperature protection - input overvoltage - soft start
Peak inrush current	1 A
ADDITIONAL SPECIFICATIONS	
Operating temperature	-10.. +55 °C
Storage temperature	-20.. +80 °C
Operating humidity	5 - 95% r.H., no condensation
Protection degree	IP20
Mounting	Wall mounting, for indoor use only
Dimensions	53.7x90x62.2 mm
Weight	300 g

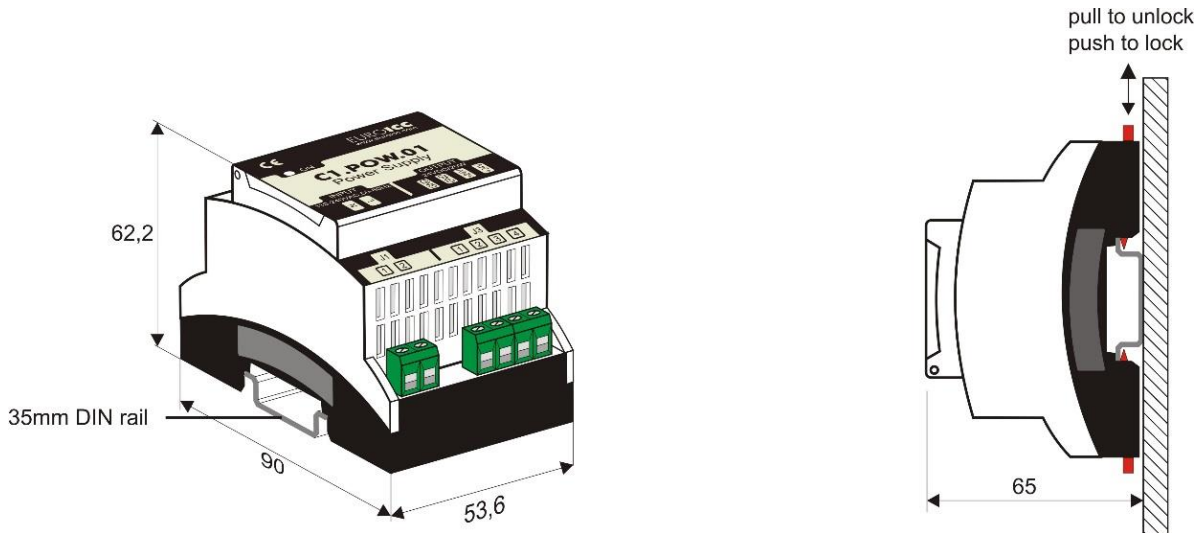
## PRODUCT FEATURES

- » Switch-mode power supply
- » Built-in galvanic isolation
- » LED operation indicator
- » Built-in short circuit protection
- » Excessive current and temperature protection
- » Soft start

**WIRING AND RESOURCES**



**DIMENSIONS AND MOUNTING**



**SAFETY NOTES**



- The device is not allowed to be used outside the specified field of application, especially in aircraft or in any other airborne means of transport.
- It may only be installed by suitably trained personnel.
- Any legal regulations or regulations issued by authorities must be observed during assembly.
- The device may only be opened at the manufacturer's site. It does not contain any parts that can be replaced or repaired by the user.
- The device contains electrical and electronic components and is not allowed to be disposed of as household refuse. All locally valid regulations and requirements must be observed.